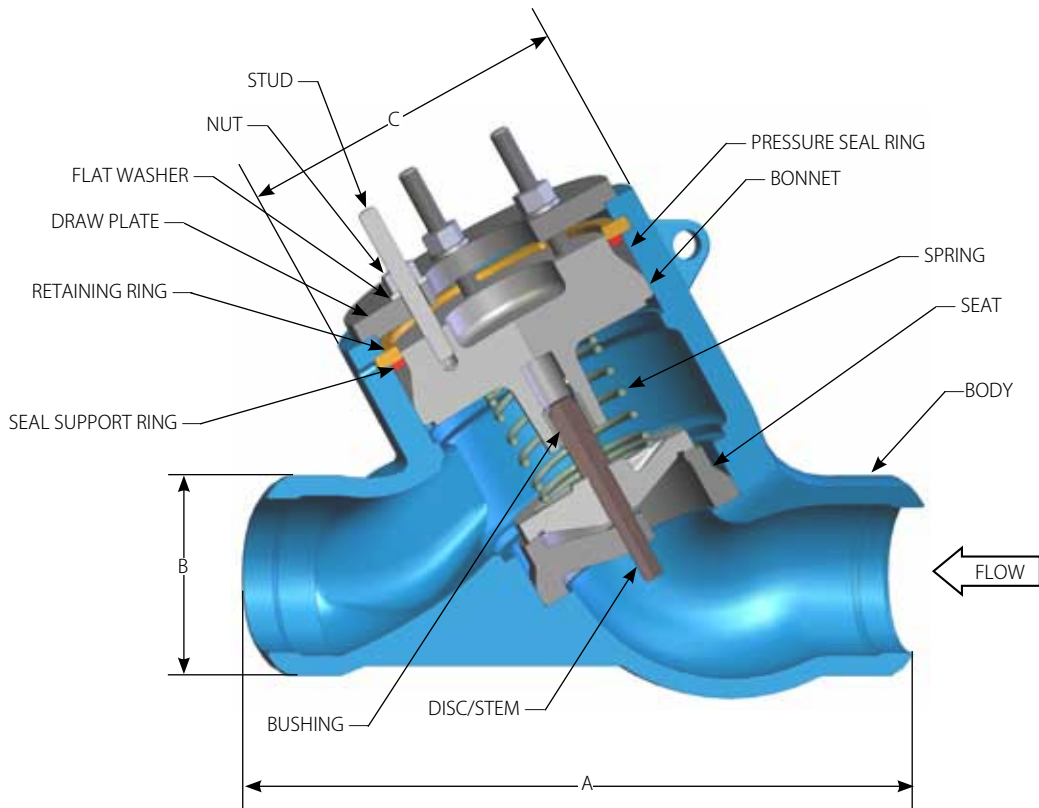


# Y-Calibur™

The **DFT® Y-Calibur™ Silent Check Valve** is an in line repairable, spring-assisted, center guided, non-slam check valve that provides reliable, low-maintenance service for a wide range of fluids and pressure/temperature combinations. The valve consists of a body, bonnet, gasket, seat, spring, disc with stem and guide bushing. Y-Calibur check valves are available in a wide range of sizes and pressure ratings and in a variety of materials to meet most check valve requirements.

## FEATURES:

- ASME B16.10 Face-to-Face dimensions
- Spring-assisted silent closing, non-slam
- 4" to 14" Line size \*
- ASME 600 to 2500 (See chart)
- Standard body materials:
  - A216 WCB carbon steel
  - A351 CF8M stainless steel
- Optional body materials:
  - Alloy 20
  - Duplex SS
  - Hastelloy®
  - Inconel® 600
  - Monel®
- Standard ends:
  - Butt weld
- Optional ends:
  - Flanged
  - RTJ
- Stainless steel trim
  - Other materials available
- Center-guided
- Dual-guided stem & disc
- Horizontal or vertical installation
- Tight shutoff
- Protected spring
- Fully repairable in-line
- Versatile
- Axial flow/non-slam design
- Options:
  - Soft seat
  - Inconel® X-750 Spring
  - Custom sizing low flow
  - Severe service trim
  - Stellite trim
  - NACE



\* other sizes available on application

Hastelloy® is a Registered Trademark of Haynes International Inc. Inconel® and Monel® are Registered Trademarks of Special Metal Corporation. DFT® and Y-Calibur™ are Trademarks of DFT Inc.

# Y-Calibur™

## MATERIALS OF CONSTRUCTION

COMPONENT	CARBON STEEL BODY	STAINLESS STEEL BODY
Body and Bonnet	A216 WCB	A351 CF8M
Disc/Stem Assembly	A351 CF8M/A479 316	A351 CF8M/A479 316
Seat	A351 CF8M	A351 CF8M
Spring (1)	A313 316	A313 316
Bushing	A479 316	A479 316
Bolting (2)	A193-B7 (Stud) & A194-2H (Nut)	
Seal	Graphite	

Class	600 RF	900 RF	1500 RF	
<b>4"</b>	<b>A</b>	17	18	21.5
	<b>B</b>	3.82	3.43	3.15
	<b>C</b>	8.38	8.88	10.00
	<b>Weight</b>	103	150	211
	<b>Cv</b>	265	265	265
<b>6"</b>	<b>A</b>	22	24	27.8
	<b>B</b>	5.76	5.18	4.89
	<b>C</b>	11.63	12.25	13.75
	<b>Weight</b>	250	312	479
	<b>Cv</b>	685	685	685
<b>8"</b>	<b>A</b>	26	29	32.8
	<b>B</b>	7.62	6.81	6.87
	<b>C</b>	14.50	15.38	15.25
	<b>Weight</b>	461	597	903
	<b>Cv</b>	1050	1050	1050
<b>10"</b>	<b>A</b>	31	33	39
	<b>B</b>	9.56	8.75	8.5
	<b>C</b>	18.50	19.63	21.88
	<b>Weight</b>	801	1084	1886
	<b>Cv</b>	1650	1650	1650
<b>12"</b>	<b>A</b>	33	38	44.5
	<b>B</b>	11.37	10.75	10.12
	<b>C</b>	22.38	22.38	24.00
	<b>Weight</b>	1058	1440	2625
	<b>Cv</b>	2400	2400	2400

**Notes:** 1. Inconel® X-750 spring is available.  
2. Contact DFT for stainless steel or other bolting materials.

All dimensions are in inches.

Y-CAL REV1\_062113

Tel: 610-363-8903

Toll-Free: 800-206-4013

Fax: 610-524-9242