

# DFT<sup>®</sup> Nickel-Aluminum Bronze Valves

---

- **GLC<sup>®</sup> -NAB**
  - **Excalibur<sup>®</sup> -NAB**
- 

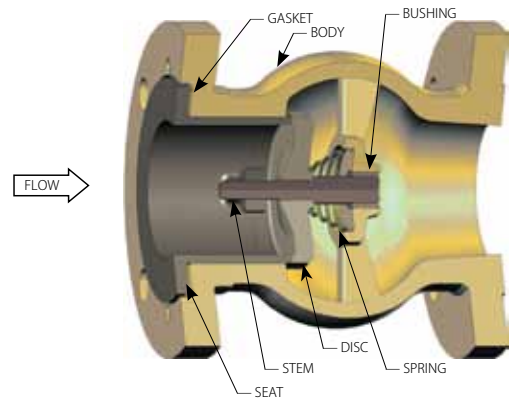
The **DFT<sup>®</sup> GLC<sup>®</sup> and Excalibur<sup>®</sup> NAB (Nickel-Aluminum Bronze) Silent Check Valves** are spring-assisted, nozzle style, non-slam check valves that are designed to withstand the harsh environments of salt and brine water applications where corrosion resistance and marine life deterrents are a must. DFT's center guided check valves provide reliable, low-maintenance service and solve the problems associated with water hammer and severe applications and environments.



# GLC® -NAB

## FEATURES:

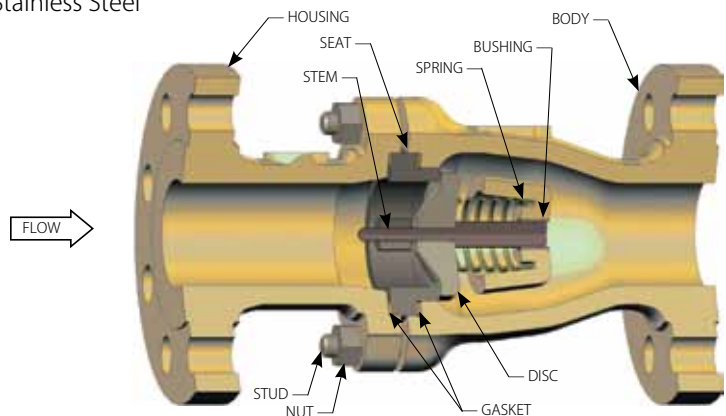
- "Short" Face-to-Face dimensions
  - API 6FD Fire Test
    - ASME 150 and 300
    - 2" to 24"
  - Standard body materials:
    - Nickel-Aluminum Bronze
  - One-piece body
  - Spring-assisted silent closing, non-slam
  - Center-guided
  - Dual-guided stem
  - Horizontal or vertical installation
  - Protected spring
  - Easy maintenance
  - Versatile
  - ASME 150 To 2500
    - 1" to 24" Line size
    - RF Flanged ends
    - MSS-SP61 seat leakage
  - Axial flow
  - Nozzle style
- Options:
    - Inconel® X-750 Spring
    - Soft seat
    - Custom sizing low flow
    - Severe service trim
    - Stellite trim
    - RTJ Ends
    - NACE
  - Trim Options:
    - Nickel-Aluminum Bronze
    - Monel®
    - Stainless Steel
    - Duplex SS



# Excalibur® -NAB

## FEATURES:

- ASME B16.10 Face-to-Face dimensions
  - Spring-assisted silent closing, non-slam
  - 2" to 24" Line size
  - ASME 150 to 1500
  - Standard body materials:
    - Nickel-Aluminum Bronze
  - Standard ends:
    - RF Flanged
  - Optional ends:
    - Butt weld
    - Flanged x Butt weld
    - RTJ
    - Victaulic®
  - Center-guided
  - Dual-guided stem
  - Horizontal or vertical installation
  - Tight shutoff
  - Two-piece body
  - Protected spring
  - Easy maintenance
  - Versatile
  - Axial flow
  - Nozzle style
- Options:
    - Soft seat
    - Inconel® X-750 Spring
    - Custom sizing low flow
    - Severe service trim
    - Stellite trim
    - NACE
  - Trim Options:
    - Nickel-Aluminum Bronze
    - Monel®
    - Stainless Steel



See the DFT® general catalog for technical details.

Inconel® and Monel® are Registered Trademarks of Special Metal Corporation. Victaulic® is a Registered Trademark of Victaulic Company. DFT®, GLC® and Excalibur® are Registered Trademarks of DFT Inc.