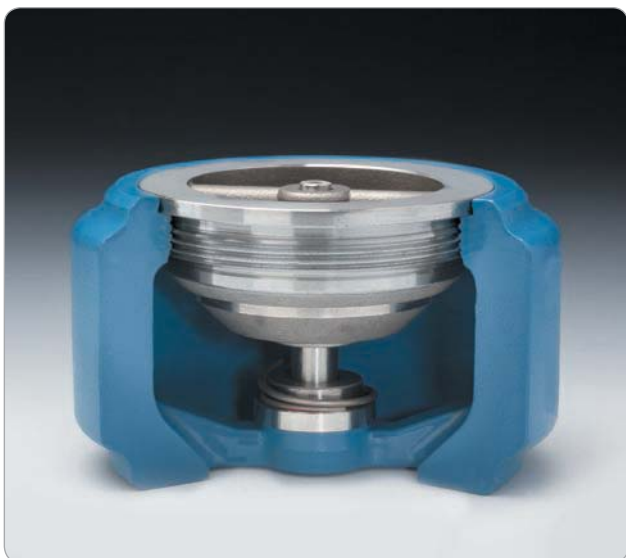
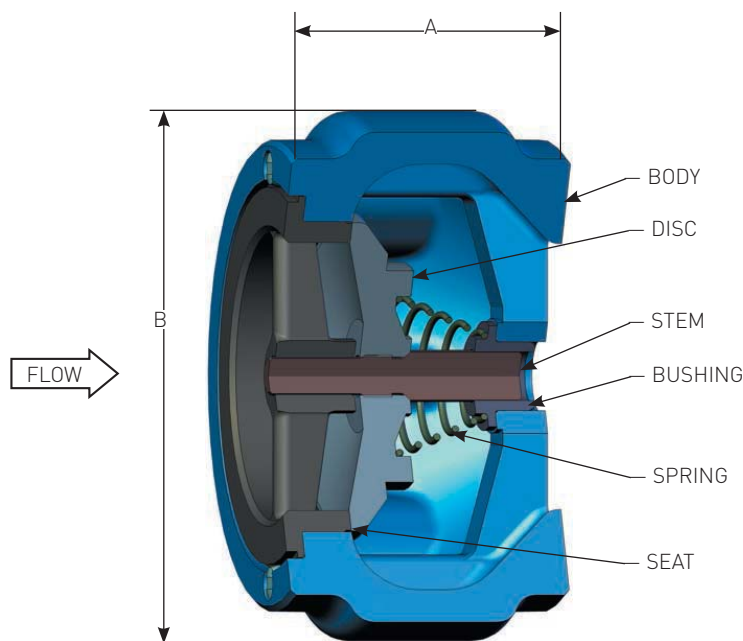


The **DFT® Model WLC Wafer Style Check Valve** is a lightweight, spring-assisted, center-guided, non-slam check valve that provides reliable, low-maintenance service for a wide range of fluids and pressure/ temperature combinations. The joint between the seat ring and body is sealed by the flange gasket upon installation preventing any leakage through the joint when the valve is in service.



FEATURES:

- Wafer design
- NSF 61
 - ASME 150/300
 - 2" to 8"
- Standard body material:
 - A216 Grade WCB carbon steel
 - A351 CF8M stainless steel
- Optional body materials:
 - Alloy 20
 - Hastelloy®
 - Inconel® 625
 - Duplex SS
 - Titanium
- Lightweight
- Spring-assisted silent closing
- Edge-guided (1" & 1-1/2"-ASME 600 to 2500)
- Center-guided/Dual-guided stem
 - 1" to 10" ASME 150/300 (10" is ASME 150 only)
 - 2" to 10" ASME 600 to 2500
- Horizontal or vertical installation
- Protected spring
- ASME 150 to 1500
 - 1" to 10" Line Size
 - SS trim
 - Ends:
 - Wafer RF
 - Wafer RTJ
- MSS-SP 61 seat leakage
- MSS 126 Face-to-Face dimension:
 - Class 150 & 300 RF
- API 594 Face-to-Face dimension:
 - Class 600 RF
 - Class 900 & 1500 RF
- Options:
 - Inconel® X-750 spring
 - Soft seat
 - Custom sizing - low flow
 - Stellite trim (600°F+)
 - Weld Neck Flanges to meet B16.10
 - Face-to-Face dimensions
 - NACE (page 39)



MATERIALS OF CONSTRUCTION

COMPONENT	CARBON STEEL BODY	STAINLESS STEEL BODY
Body	A216 Grade WCB	A351 CF8M
Disc/Stem Assembly	A351 CF8M/A479 316	A351 CF8M/A479 316
Seat	A351 CF8M	A351 CF8M
Spring	A313 316	A313 316
Bushing	A479 316	A479 316

Consult pages 40 and 41 for Pressure/Temperature ratings and soft seat materials.

Class	150 RF	300 RF	600 RF (1)	900 RF (1)	1500 RF (2)	1500 RTJ (2)	2500 RTJ (2)
1"	A	2	2	2.38	2.38	2.38	2.38
	B	2.88	2.88	2.88	3.13	3.13	3.13
	Weight	2	2	2.50	4	4	4.1
	Cv	19	19	19	19	19	19
	CP	0.36	0.36	0.36	0.44	0.44	0.44
1 1/2"	A	2.50	2.50	2.88	2.88	2.88	2.88
	B	3.75	3.75	3.75	3.88	3.88	3.88
	Weight	4	4	8	8	8	7
	Cv	36	36	23	23	23	23
	CP	0.17	0.17	0.44	0.54	0.54	0.54
2"	A	2.63	2.63	2.38	2.75	2.75	3.13
	B	4.38	4.38	4.25	5.50	5.50	5.50
	Weight	4	4	5	14	14	14
	Cv	57	57	53	48	48	48
	CP	0.24	0.24	0.26	0.24	0.24	0.24
2 1/2"	A	2.88	2.88		3.63	3.63	3.63
	B	5.13	5.13		6.50	6.50	6.50
	Weight	10	10		20	20	20
	Cv	95	95		70	70	70
	CP	0.37	0.37		0.18	0.18	0.18
3"	A	3.13	3.13	2.88	3.25	3.25	3.25
	B	5.75	5.75	5.75	6.75	6.75	6.75
	Weight	12	12	11	21	21	21
	Cv	140	140	133	113	113	113
	CP	0.19	0.19	0.26	0.19	0.19	0.19
4"	A	4	4	3.13	4	4	4.13
	B	7.13	7.13	7.50	8.13	8.13	8.25
	Weight	20	20	21	38	38	38
	Cv	265	265	234	211	211	211
	CP	0.19	0.19	0.49	0.46	0.46	0.46
5"	A	4.63	4.63		6.25	6.25	
	B	8.50	8.50		11.25	11.25	
	Weight	35	35		100	100	
	Cv	360	360		370	370	
	CP	0.29	0.29		0.58	0.58	
6"	A	5.50	5.50	5.38	6.25	6.25	6.25
	B	9.88	9.88	10.38	11.25	11.25	11.25
	Weight	41	41	68	100	100	100
	Cv	506	506	441	370	370	370
	CP	0.45	0.45	0.66	0.58	0.58	0.58
8"	A	6.50	6.50			8.13	
	B	12.13	12.13			13.81	
	Weight	86	86			244	
	Cv	860	860			620	
	CP	0.56	0.56			0.66	
10"	A	8.25			9.75	9.75	
	B	17.63			17	17	
	Weight	138			430	430	
	Cv	1355			755	755	
	CP	0.45			0.61	0.61	

Notes: 1. Size 1" and 1 1/2" (Class 600 & higher) have Buna-N (-70 to 250°F) body "O" ring seals. Contact DFT for other materials.
2. All sizes have Buna-N (-70 to 250°F) "O" ring body seals except 10" Cl. 1500 RTJ/RF have spiral wound body seals. Contact DFT for other materials.

All dimensions are in inches. Weights are in pounds.