

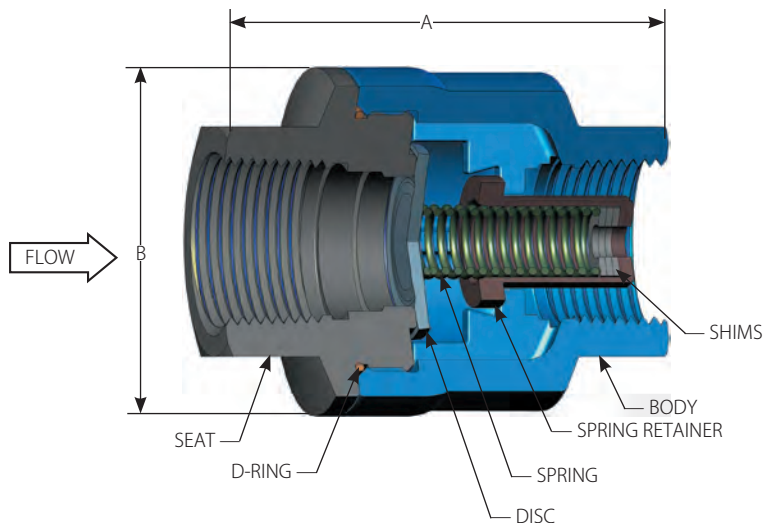
SCV-R®

The **SCV-R Check Valve** is a non-slam spring-assisted check valve designed for applications requiring “higher cracking pressures” than the DFT Model SCV® check valve. The SCV-R check valve is a self-contained check valve that installs directly in a pipeline and contains all of the proven features of the SCV check valve.



FEATURES:

- 1/2" to 2" Line size
- 750 CWP
- NPT & SW ends
- Stainless steel construction
- Inconel® X-750 spring
- Spring-assisted silent closing, non-slam
- Cracking Pressures: 0.8 to 40.8 psig (See chart)
- Zelon® "O" ring body seal
- Horizontal or vertical installation
- Body guided disc
- Tight shutoff lapped disc & seat
- Easy maintenance
- Versatile
- Options:
 - 316 SS springs
 - Body seal weld
 - Soft seat
 - Alloy 20 body & seat (ASME 300)
 - Hastelloy® C body & seat (ASME 300)
 - NPT x socket weld ends
 - Butt weld ends
 - Repair kits
 - Field conversion kits



Consult pages 40 and 41 for Pressure/Temperature ratings and soft seat materials.

PRESSURE TEMPERATURE RATING (PSIG)	
Temp. (F°)	750 CWP
100	750
200	645
250	610
300	580
400	535
470	510

MATERIALS OF CONSTRUCTION	
COMPONENT	750 CWP
Body	A351 CF8M
Seat (1)	A351 CF8M
Disc	A240 316
Spring	Inconel® X-750
"O" Ring	Zelon (470°F max.)

	Class	750 CWP/
1/2"	A	2.68
	B	1.62
	Weight	1.1
	Cv	6
	CP	1 to 25
3/4"	A	3
	B	2.13
	Weight	1.5
	Cv	10
	CP	0.80 to 20
1"	A	3.32
	B	2.54
	Weight	1.9
	Cv	17
	CP	1.2 to 23.5
1 1/4"	A	3.87
	B	3.06
	Weight	3.9
	Cv	33
	CP	7.7 to 22
1 1/2"	A	4.75
	B	3.44
	Weight	4.7
	Cv	36
	CP	1.4 to 40.8
2"	A	5
	B	4.4
	Weight	7.7
	Cv	64
	CP	0.9 to 21.4

Contact DFT for other cracking pressures.

Notes: 1. Soft seats are available for bubble tight shutoff. See chart. Body seal and soft seat material are the same unless otherwise requested.

All dimensions are in inches. Weights are in pounds. CP: Cracking Pressure (psig)