

**GPV™ Wafer Check Valves** feature a non-slam spring-assisted design to prevent flow reversal for liquids and gases. The edge-guided disc and center-guided stem ensure that the soft-seated disc will always find its home and provide bubble tight shutoff. The 316 stainless steel construction provides superior corrosion protection.



## FEATURES:

- Spring-assisted silent closing
- ASME Class 150, 300/600
- 316 Stainless steel body, disc & retainer
- Inconel® X-750 spring
- Hydrogen peroxide-cured 90 Durometer Buna-N soft seat for bubble-tight shutoff
- Temperatures to 250°F
- Horizontal or vertical installations
- Meets:
  - B16.34-2004
  - MSS SP-61

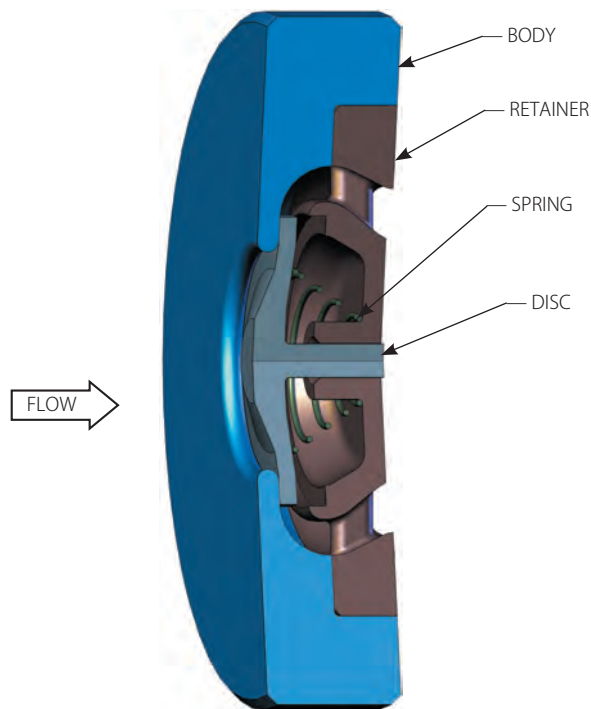
## MATERIALS OF CONSTRUCTION

COMPONENT	
Seat	A479 316
Disc	316 SS
Guard	316 SS
Spring	316 SS
Retaining Ring	316 SS

Consult pages 40 and 41 for Pressure/Temperature ratings and soft seat materials.

## PRESSURE TEMPERATURE RATING — 316 SS (PSIG) (1)

Temp. (F°)	ASME CLASS		
	150	300	600
100	275	720	1440
200	235	620	1240
250 (2)	225	590	1180
300 (3)	215	560	1120
400 (4)	195	515	1025
450	180	495	990



Class	150	300/600
O.D.	4.12	4.38
Face-to-Face	0.75	0.75
<b>2"</b> Weight	2.6	3.0
Cv	21	21
CP	0.40	0.40

- Notes:**
1. Pressure/temperature ratings in accordance with ASME B16.34-2004
  2. Maximum temperature for Buna-N
  3. Maximum temperature for EPDM
  4. Maximum temperature for Viton®, TFE-encapsulated Viton® and Zelon.

All dimensions are in inches. Weights are in pounds. CP: Cracking Pressure (psig)