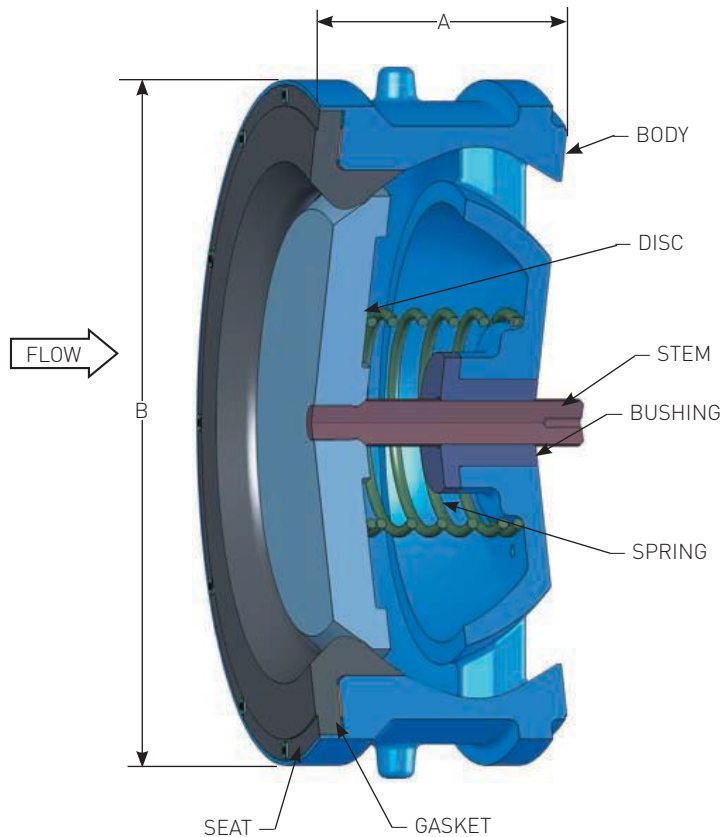


The **ALC** is a non-slam spring-assisted, center-guided “wafer” check valve designed to prevent “water hammer” and “reverse” flow. The lightweight compact design fits between mating flanges and meets API 594 Face-to-Face dimensions. The ALC is an easy-to-maintain check valve for applications involving liquids, gases or steam. Tapped holes are provided in the body for lifting lugs to assist with installation (10” and larger sizes only).



## FEATURES:

- API 594 Face-to-Face dimensions
- RF Wafer ends
- Spring-assisted silent closing
- Horizontal or vertical installation
- ASME Class 150 and 300
- Standard body materials:
  - A216 Grade WCB carbon steel
  - A351 CF8M stainless steel
- Stainless steel seat, disc & bushing
- Nitronic 60 stem
- Inconel<sup>®</sup> X-750 Spring
- 0.5 psi cracking pressure spring
- Seat Leakage per MSS SP-61
- Tapped holes in body for lifting lugs (10” size and larger)
- Options:
  - 316 SS spring
  - Custom sizing - low flow
  - Stellite trim
  - Soft seat
  - NACE (See page 39)



Consult pages 40 and 41 for Pressure/Temperature ratings and soft seat materials.

	Class	150 RF	300 RF
<b>2"</b>	<b>A</b>	2.38	2.38
	<b>B</b>	4.25	4.25
	<b>Weight</b>	5.8	5.8
	<b>Cv</b>	120	120
	<b>CP</b>	0.65	0.65
<b>2 1/2"</b>	<b>A</b>	2.62	2.62
	<b>B</b>	5.00	5.00
	<b>Weight</b>	8.8	8.8
	<b>Cv</b>	205	205
	<b>CP</b>	0.69	0.69
<b>3</b>	<b>A</b>	2.88	2.88
	<b>B</b>	5.75	5.75
	<b>Weight</b>	12.8	12.8
	<b>Cv</b>	260	260
	<b>CP</b>	0.63	0.63
<b>4"</b>	<b>A</b>	2.88	2.88
	<b>B</b>	7.00	7.00
	<b>Weight</b>	17.4	17.4
	<b>Cv</b>	430	430
	<b>CP</b>	0.59	0.59
<b>6"</b>	<b>A</b>	3.88	3.88
	<b>B</b>	9.75	9.75
	<b>Weight</b>	38	38
	<b>Cv</b>	825	825
	<b>CP</b>	0.59	0.59

	Class	150 RF	300 RF
<b>8"</b>	<b>A</b>	5.00	5.00
	<b>B</b>	12.00	12.00
	<b>Weight</b>	68.8	68.8
	<b>Cv</b>	1310	1310
	<b>CP</b>	0.55	0.55
<b>10"</b>	<b>A</b>	5.75	5.75
	<b>B</b>	14.13	14.13
	<b>Weight</b>	115	115
	<b>Cv</b>	1875	1875
	<b>CP</b>	0.06	0.06
<b>12"</b>	<b>A</b>	7.13	7.13
	<b>B</b>	16.50	16.50
	<b>Weight</b>	200	200
	<b>Cv</b>	2525	2525
	<b>CP</b>	0.53	0.53
<b>14"</b>	<b>A</b>	7.25	8.75
	<b>B</b>	17.63	19.00
	<b>Weight</b>	225	320
	<b>Cv</b>	2950	3275
	<b>CP</b>	0.55	0.55

	Class	150 RF	300 RF
<b>16"</b>	<b>A</b>	7.50	9.13
	<b>B</b>	20.13	21.31
	<b>Weight</b>	315	425
	<b>Cv</b>	3330	4100
	<b>CP</b>	0.50	0.50
<b>18"</b>	<b>A</b>	8.00	10.38
	<b>B</b>	21.50	23.25
	<b>Weight</b>	390	618
	<b>Cv</b>	3475	5040
	<b>CP</b>	0.55	0.55
<b>20"</b>	<b>A</b>	8.62	11.50
	<b>B</b>	23.75	25.63
	<b>Weight</b>	545	760
	<b>Cv</b>	3750	6050
	<b>CP</b>	0.54	0.57
<b>24"</b>	<b>A</b>	8.75	12.50
	<b>B</b>	28.13	30.38
	<b>Weight</b>	745	1200
	<b>Cv</b>	5150	8325
	<b>CP</b>	0.52	0.57

## MATERIALS OF CONSTRUCTION

COMPONENT	CARBON STEEL BODY	STAINLESS STEEL BODY
Body	A216 Grade WCB	A351 CF8M
Disc/Stem Assembly	316 SS/Nitronic 60	316 SS/Nitronic 60
Seat	316 SS	316 SS
Spring	Inconel® X-750	Inconel® X-750
Bushing	316 SS (1)	316 SS (1)
Gasketing (2)	CFG (3)	CFG (3)

- Notes:**
1. Teflon bushing on 18", 20" and 24".
  2. Gaskets only used on valves 10" and larger.
  3. 316/Graphite material.

All dimensions are in inches. Weights are in pounds.